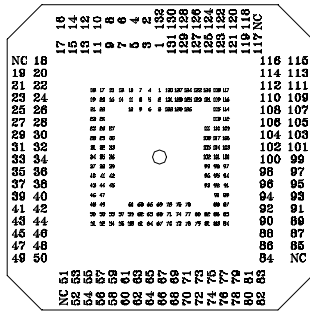
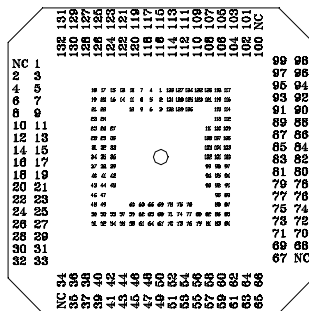


F1372

### PIN MAP FOR EPP-132-QF03-LG



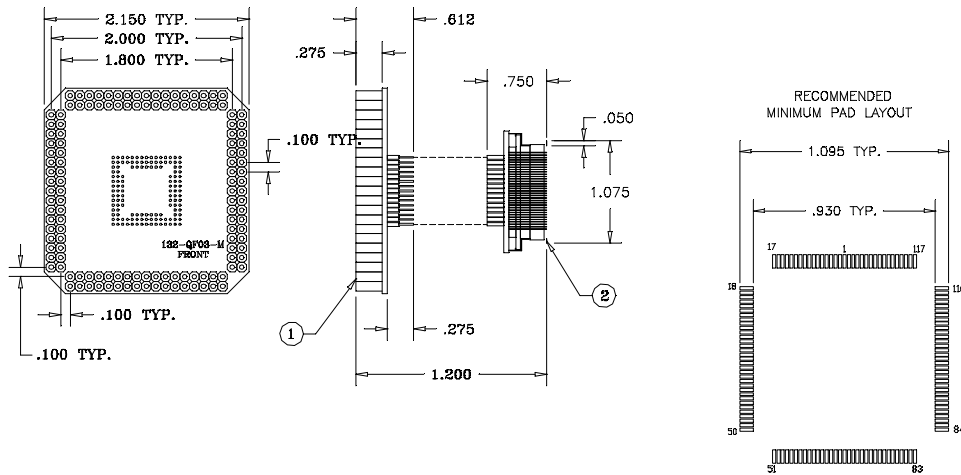
PIN #1 CENTER



PIN #1 CORNER

		<b>Emulation Technology, Inc.</b> — VLSI and SMT ADAPTERS and ACCESSORIES —	
		2344 Walsh Avenue, Bldg. F Santa Clara, Ca 95051	
SHEETS: 2 OF 2		DATE: 2-22-93	
CHECKED: GABOR KARDOS		DRAWN: SCOTT BARCELLOS	
DO NOT SCALE DRAWING		DESCRIPTION: EPP-132-QF03-LG	

F1372



		<b>Emulation Technology, Inc.</b> — VLSI and SMT ADAPTERS and ACCESSORIES —	
		2344 Walsh Avenue, Bldg. F Santa Clara, Ca 95051	
SHEETS: 1 OF 2		DATE: 2-2-95	
CHECKED: GABOR KARDOS		DRAWN: PAULA McKENNA	
DO NOT SCALE DRAWING		DESCRIPTION: EPP-132-QF03-LG	

NO.	ITEM	DESCRIPTION	QTY
1	MX-132-QF03-SUB	TOP SUB ASSEMBLY	1
2	EPP132QF03SM	BOTTOM SUB ASSEMBLY	1