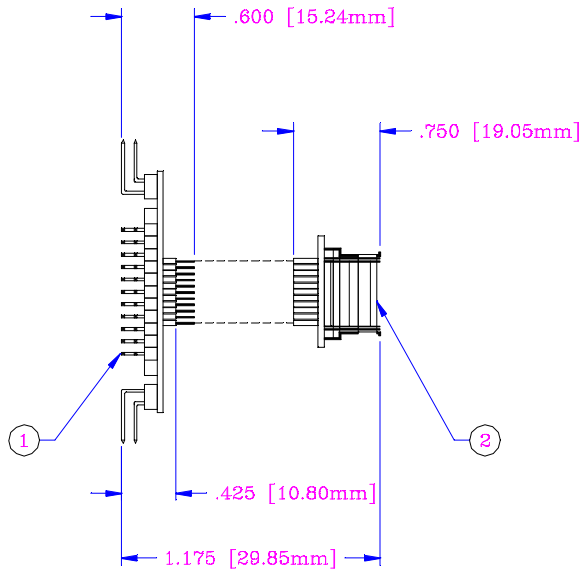
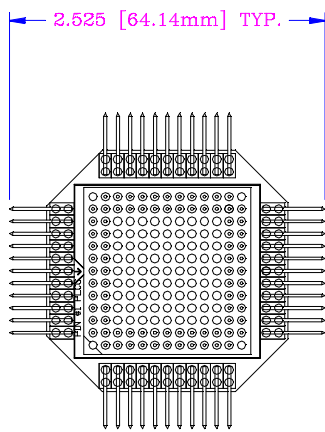


F2476



ALL DIMENSIONS ARE IN INCHES UNLESS OTHERWISE SPECIFIED

	Emulation Technology, Inc. — VLSI and SMT ADAPTERS and ACCESSORIES —	
	2344 Walsh Avenue, Bldg. F Santa Clara, Ca 95051	TEL:(408)982-0660 FAX:(408)982-0664

SHEET: 1 OF 1	DATE: 11-15-94	REVISION:	ASSEMBLY DRAWING
---------------	----------------	-----------	-------------------------

CHECKED: GABOR KARDOS	DRAWN: Paula McKenna	ITEM: AS-V-146S
-----------------------	----------------------	-----------------

DO NOT SCALE DRAWING		DESCRIPTION: AS-PGA3-QF14S-68HC11K4
-----------------------------	--	-------------------------------------

NO.	ITEM	DESCRIPTION	QTY
1	AP-P3-Q14-HC11K	TOP SUB ASSEMBLY	1
2	EPP080QF14SM	BOTTOM SUB ASSEMBLY	1