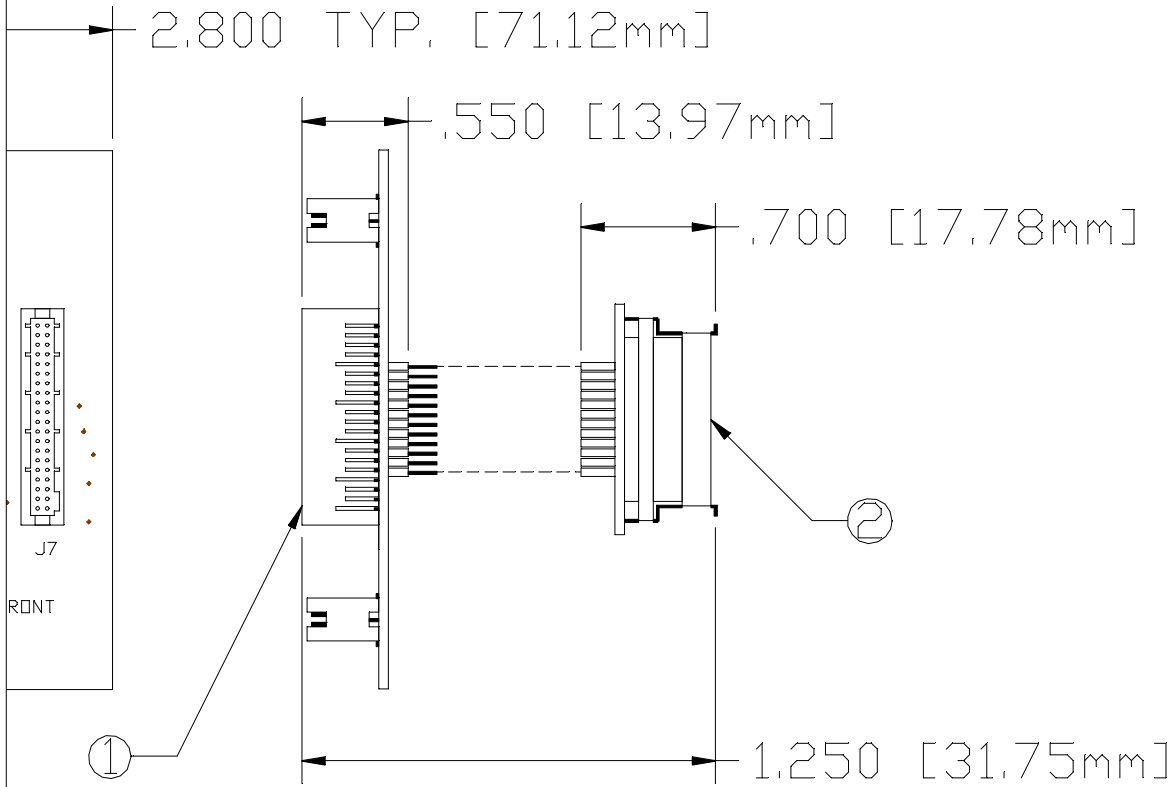


F4260



ALL DIMENSIONS ARE IN INCHES UNLESS OTHERWISE SPECIFIED



**Emulation Technology, Inc.**

— VLSI and SMT ADAPTERS and ACCESSORIES —

2344 Walsh Avenue, Bldg. F  
Santa Clara, Ca 95051

TEL:(408)982-0660  
FAX:(408)982-0664

SHEET: 1 OF 1	DATE: 8-26-97	REVISION:	<b>ASSEMBLY DRAWING</b>
CHECKED: Dan Altman	DRAWN: Gary Gippetti	ITEM: AS-V-060S/NOHAU	
DO NOT SCALE DRAWING			DESCRIPTION: AS-C165-QF06S-NOHAU

DESCRIPTION	QTY.
ASSEMBLY	1
JB ASSEMBLY	1