

1

2

3

4

A

A

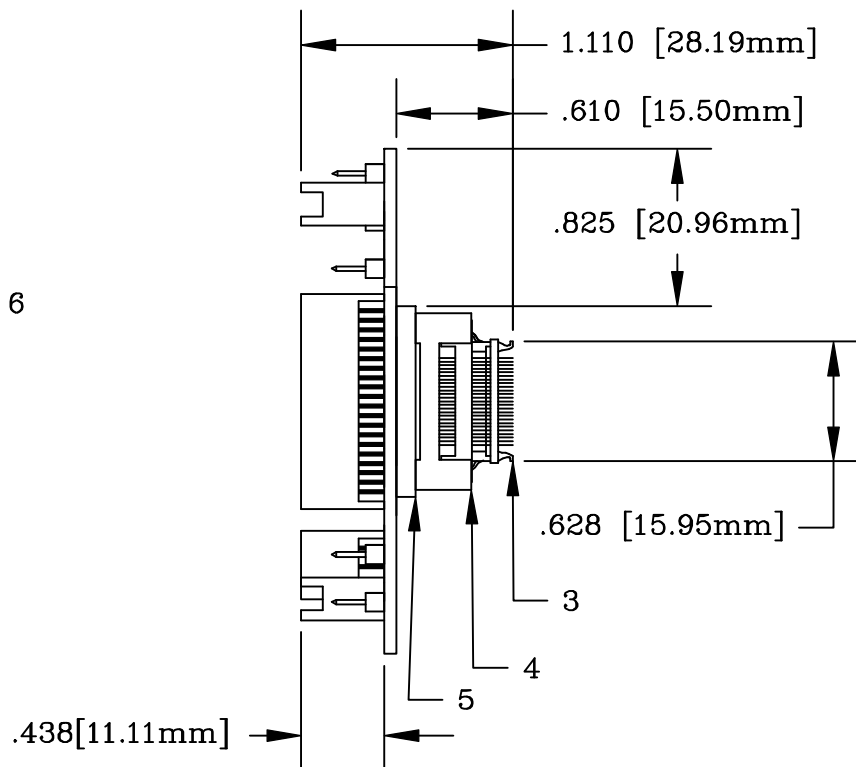
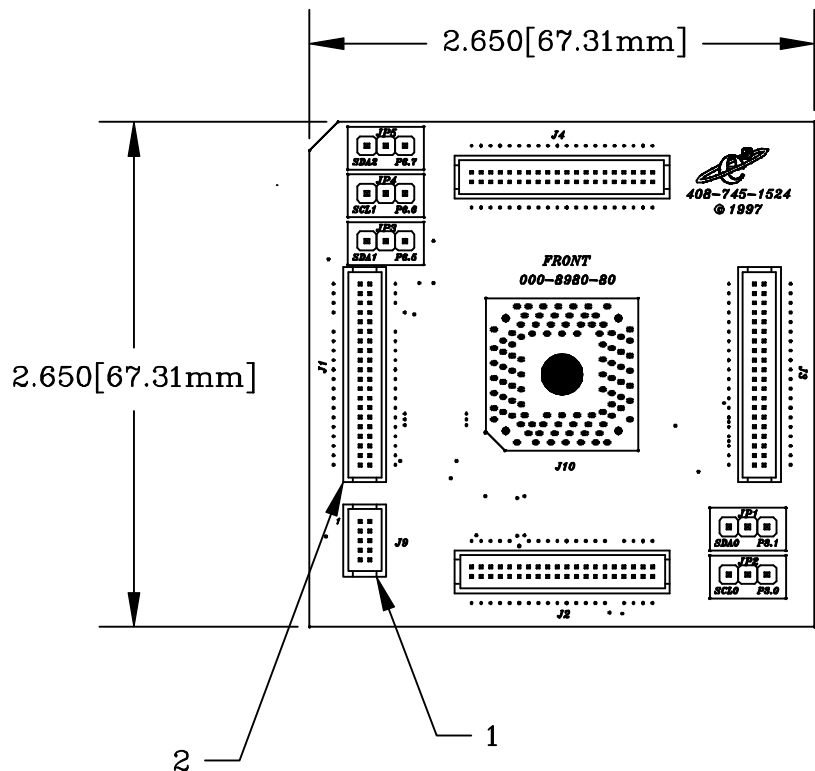
B

B

C

C

REVISIONS				
ZONE	REV	DESCRIPTION	DATE	APPROVED



NO.	PART NUMBER	DESCRIPTION	QTY.
1	000-1620-05	HEADR-BOX-SMT-M-5-2X05-LOCKING	1
2	000-1620-20	HEADR-BOX-SMT-M-5-2X20-LOCKING	4
3	000-2225	BASE-NQ-100Q5-SMT	1
4	000-2227	BASE-YQ-100Q5-EM-CVR	1
5	000-3708	RECEP-YQ-100Q5-SDF	1
6	000-8980-80	PCB-NOHAU-100Q5-NQ-C161RI	1

adapters.com
An Embedded Systems Solutions Company

www.adapters.com

TEL:(408)855-8527
FAX:(408)855-8528

3024 Scott Blvd.
Santa Clara, CA 95054

DESCRIPTION:
EMADSMT--NOHAU-100Q5-NQ-C161RI

SIZE: **A** DATE: 4-13-99 PART NO. **180-5680-10** REV

SCALE: **1:1** CHECKED: **Gabor Kardos** DRAWN BY: **S. Barcellos** SHEET

1

2

3

4

D

D