

1

2

3

4

A

A

B

B

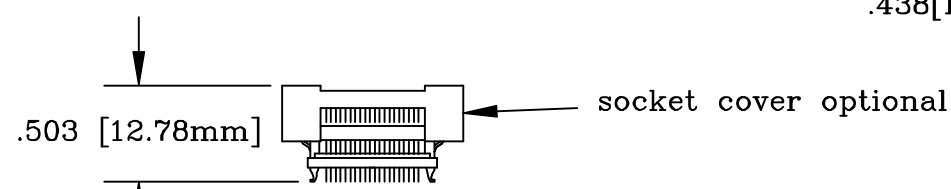
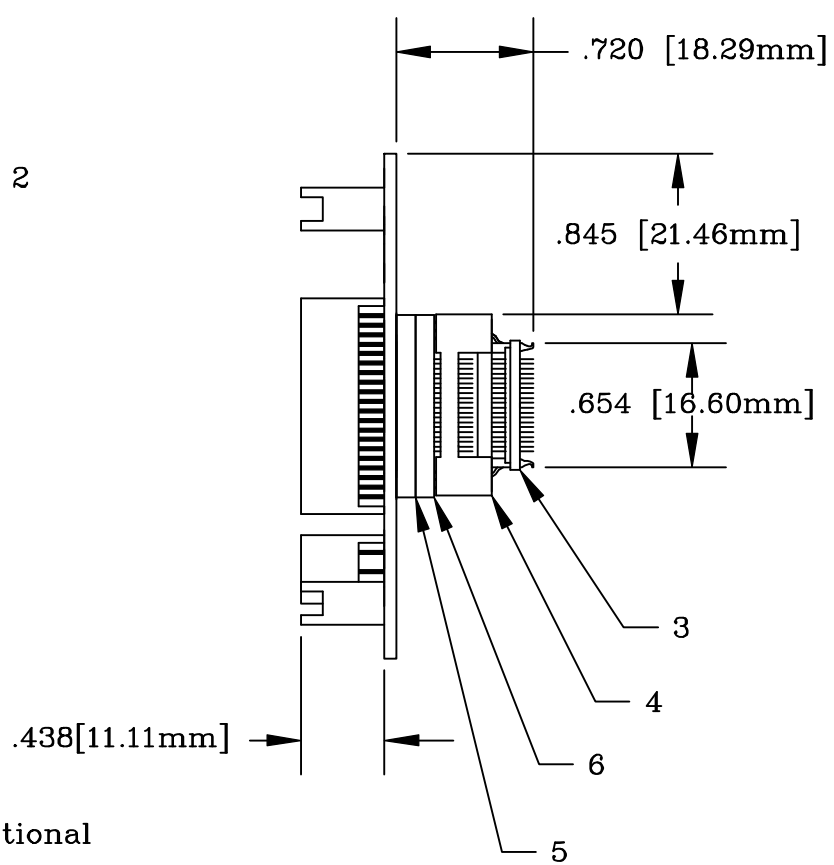
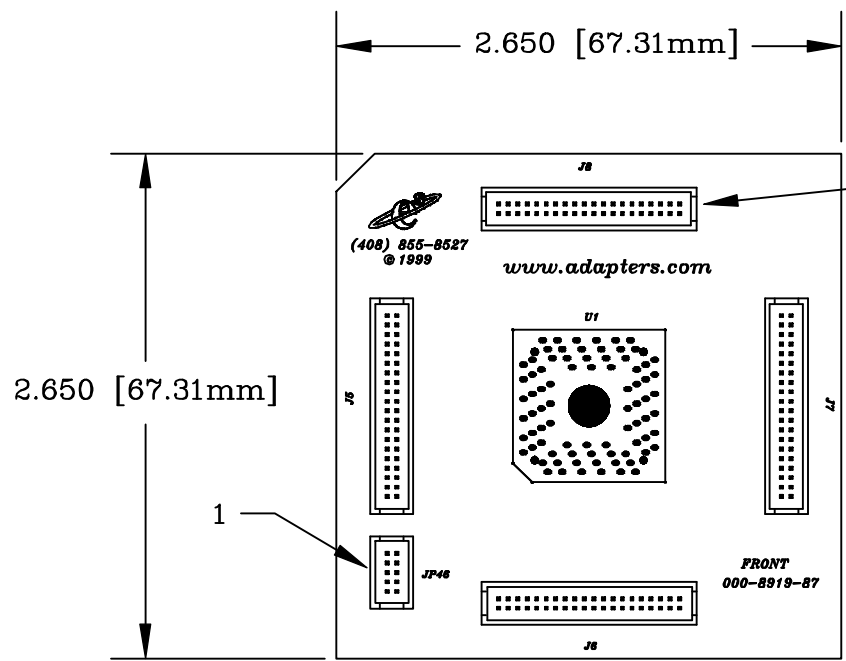
C

C

D

D

REVISIONS				
ZONE	REV	DESCRIPTION	DATE	APPROVED



NO.	PART NUMBER	DESCRIPTION	QTY.
1	000-1620-05	HEADR-BOX-SMT-M-5-2X05-LOCKING	1
2	000-1620-20	HEADR-BOX-SMT-M-5-2X20-LOCKING	4
3	000-2177-00	BASE-NQ-080Q65-SMT	1
4	000-2179-00	BASE-YQ-080Q65-EM-CVR	1
5	000-2868	RECEP-TQ-080Q65-SBF	1
6	000-3660-00	RECEP-YQ-080Q65-SBF	1
7	000-8919-87	PCB-NOHAU-080Q65-NQ-C1610	1

adapters.com
An Embedded Systems Solutions Company

www.adapters.com

TEL:(408)855-8527
FAX:(408)855-8528

3024 Scott Blvd.
Santa Clara, CA 95054

DESCRIPTION:
EMADSMT--NOHAU-080Q65-C1610-NQ

SIZE: **A** DATE: 12-6-99 PART NO. **180-5550-70** REV

SCALE: **1:1** CHECKED: **Gabor Kardos** DRAWN BY: **S. Barcellos** SHEET

1

2

3

4