

1

2

3

4

A

B

C

D

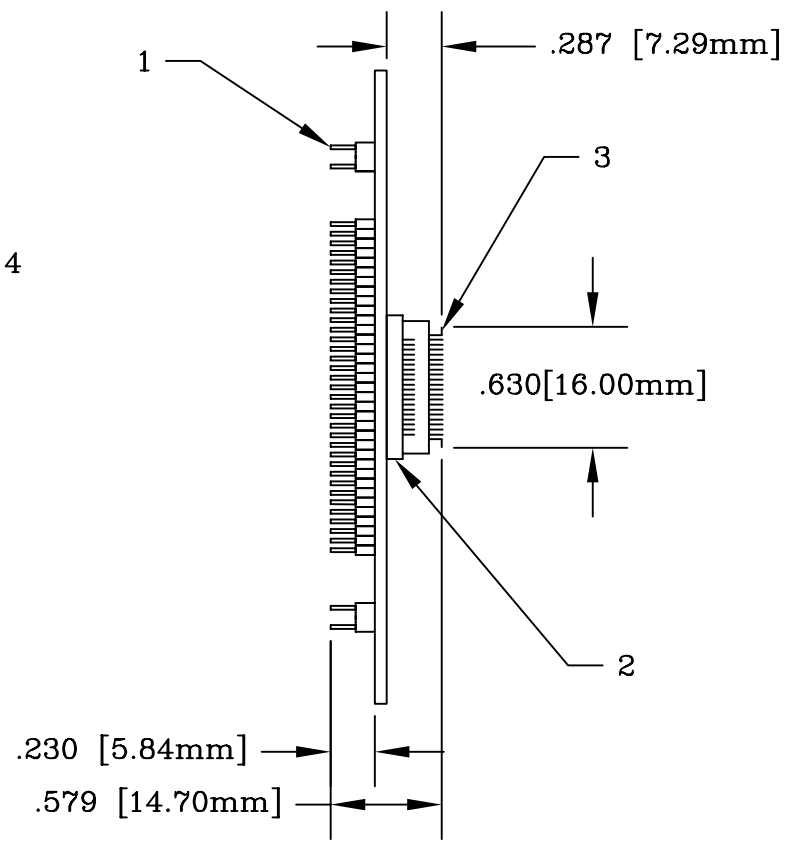
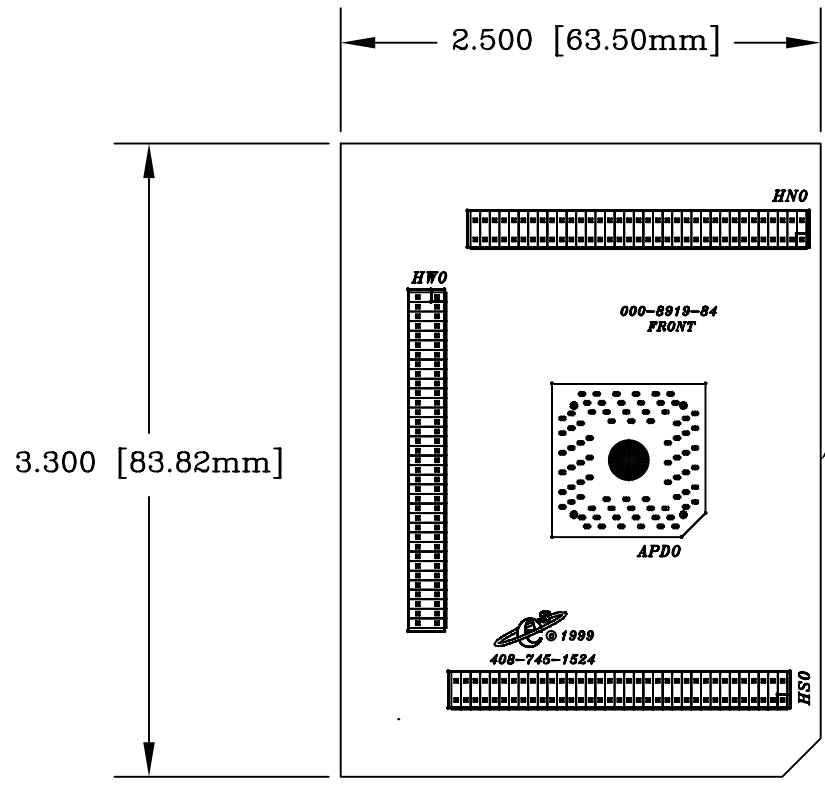
A

B

C

D

REVISIONS				
ZONE	REV	DESCRIPTION	DATE	APPROVED



NO.	PART NUMBER	DESCRIPTION	QTY.
1	000-1425-35	HEADR-MS-M-(.050X.100)-2X35	3
2	000-2889	RECEP-TQ-080Q65-3mmGP-FSTNR	1
3	000-4534	BASE-TQ-080Q65-SMT	1
4	000-8919-84	PCB-NOHAU-080Q65-TQ-C515C-.050*.1	1

www.adapters.com  
 TEL:(408)745-1524  
 FAX:(408)745-1526  
 422 Ives Terrace  
 Sunnyvale, CA 94087

**Emulation Solutions**  
 An Embedded Systems Solutions Company

DESCRIPTION: EMADSMT-NOHAU-080Q65-C515C-TQ

SIZE: A	DATE: 11-3-99	PART NO.: 180-5550-55	REV:
SCALE: 1:1	CHECKED: Gabor Kardos	DRAWN BY: Scott Barcellos	SHEET

1

2

3

4