

1

2

3

4

A

A

B

B

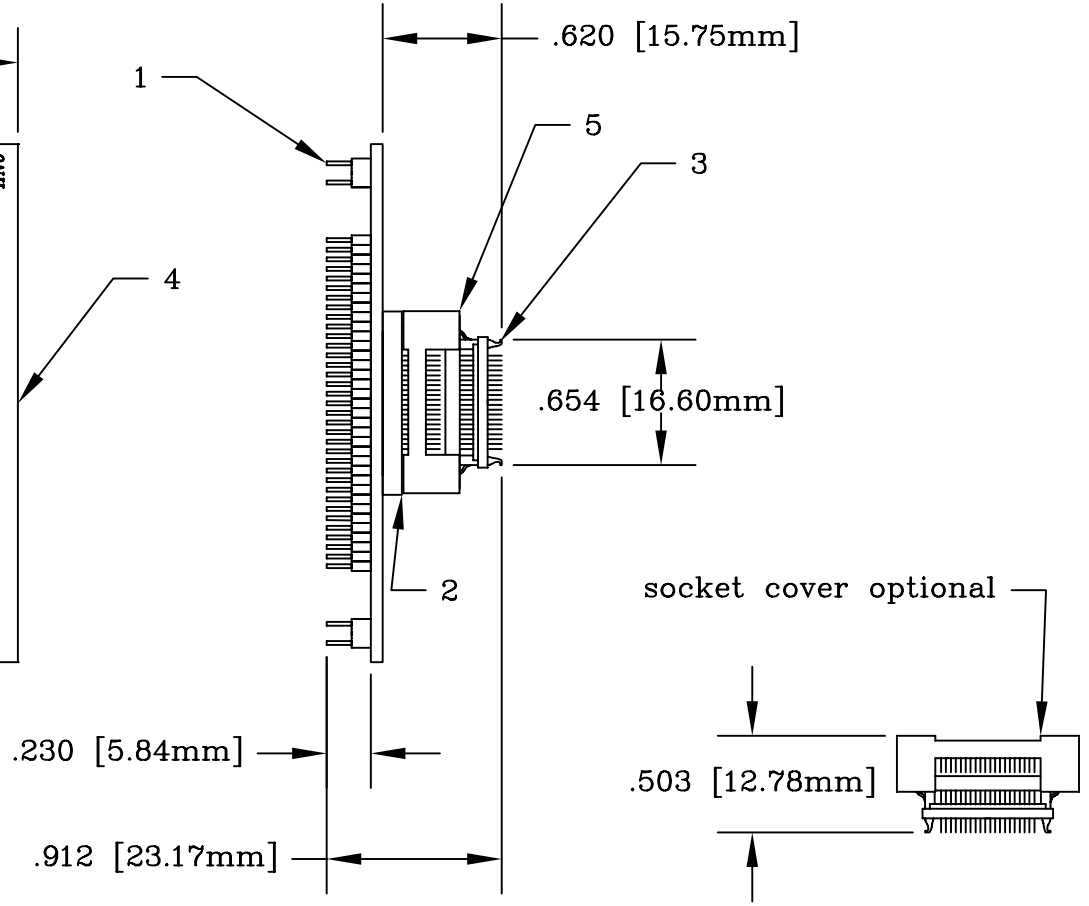
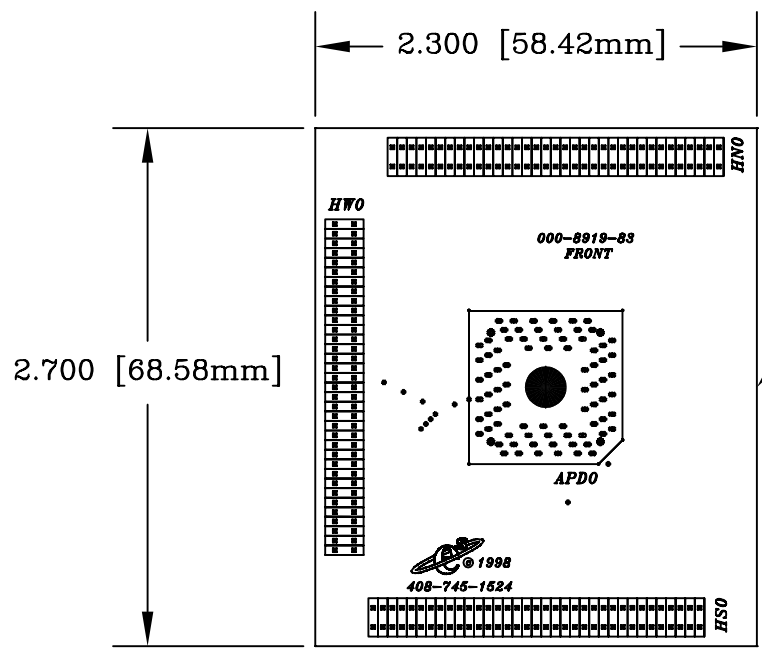
C

C

D

D

REVISIONS				
ZONE	REV	DESCRIPTION	DATE	APPROVED



NO.	PART NUMBER	DESCRIPTION	QTY.
1	000-1425-35	HEADR-MS-M-(.050x.100)-2x35	3
2	000-2869	RECEP-TQ-080Q65-3mmGP-FSTNR	1
3	000-2177-00	BASE-NQ-080Q65-SMT	1
4	000-8919-83	PCB-NOHAU-080Q65-C515-TQ-.050	1
5	000-2179-00	BASE-YQ-080Q65-EM-CVR	1

www.adapters.com

TEL:(408)745-1524
FAX:(408)745-1526

422 Ives Terrace
Sunnyvale, CA 94087

Emulation Solutions
An Embedded Systems Solutions Company

DESCRIPTION:
EMADSMT-NOHAU-080Q65-C515-NQ

SIZE A	DATE: 5-19-98	PART NO. 180-5550-50	REV
------------------	------------------	-------------------------	-----

SCALE **1:1** CHECKED: Gabor Kardos DRAWN BY: Scott Barcellos SHEET

1

2

3

4