

1

2

3

4

A

A

B

B

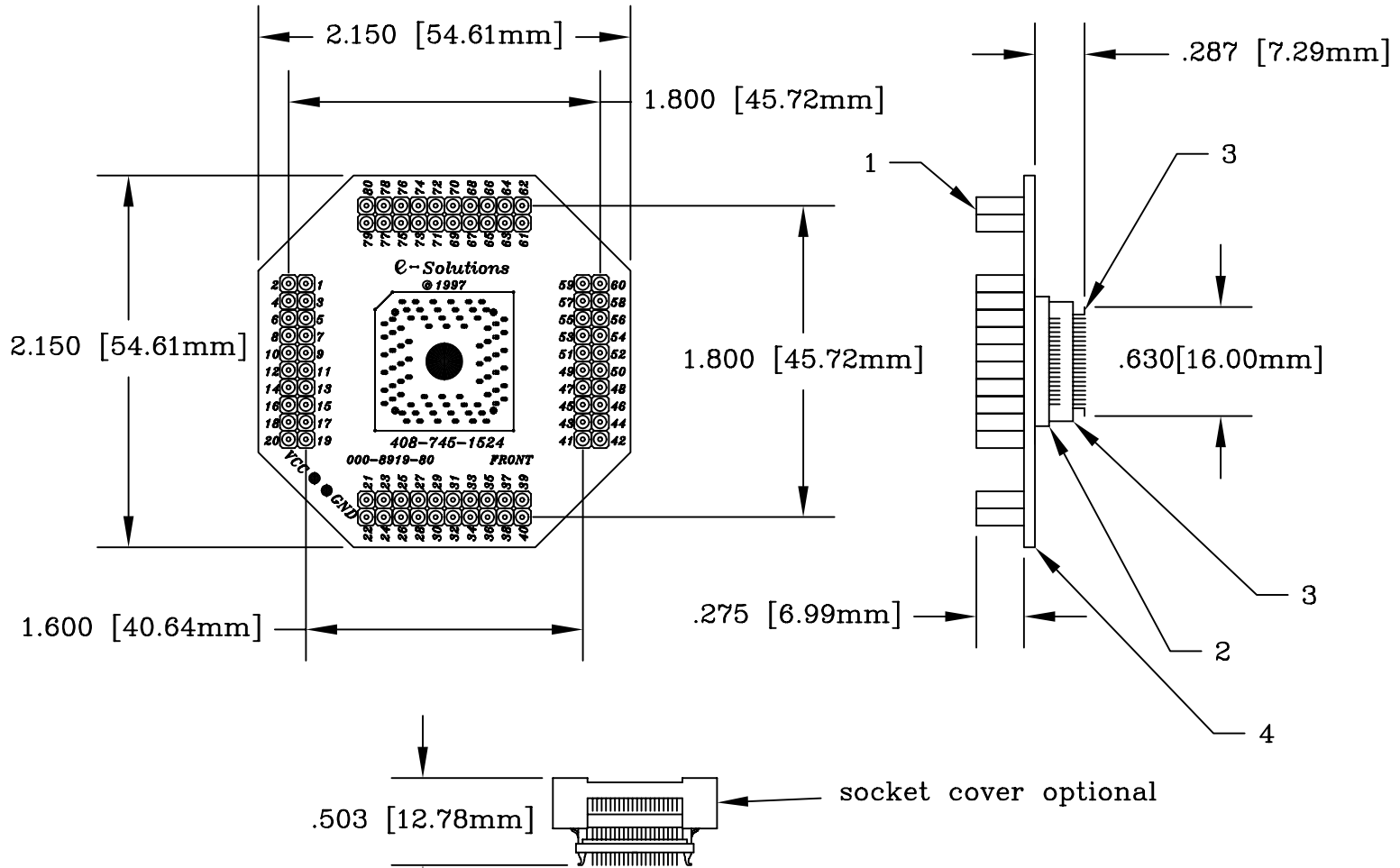
C

C

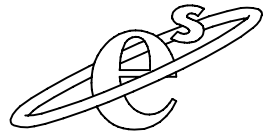
D

D

REVISIONS				
ZONE	REV	DESCRIPTION	DATE	APPROVED



NO.	PART NUMBER	DESCRIPTION	QTY.
1	000-1536-00	HEADR-WWP-F-1-025-(.023X.118)-1X36	4
2	000-2889	RECEP-TQ-080Q65-3mmGP-FSTNR	1
3	000-4534	BASE-TQ-080Q65-SMT	1
4	000-8919-80	PCB-NOHAU-080Q65-515C-NQ/TQ	1



**Emulation Solutions**  
An Embedded Systems Solutions Company

DESCRIPTION:  
EMADSMT-NOHAU-080Q65-515C-TQ

TEL:(408)745-1524  
FAX:(408)745-1526

422 Ives Terrace  
Sunnyvale, CA 94087

SIZE <b>A</b>	DATE: 10-28-98	PART NO. 180-5550-10	REV
SCALE <b>1:1</b>	CHECKED: Gabor Kardos	DRAWN BY: Scott Barcellos	SHEET

1

2

3

4