

EPC Pod Application Note EMUL16/300-PC/BDM

October 14, 1998

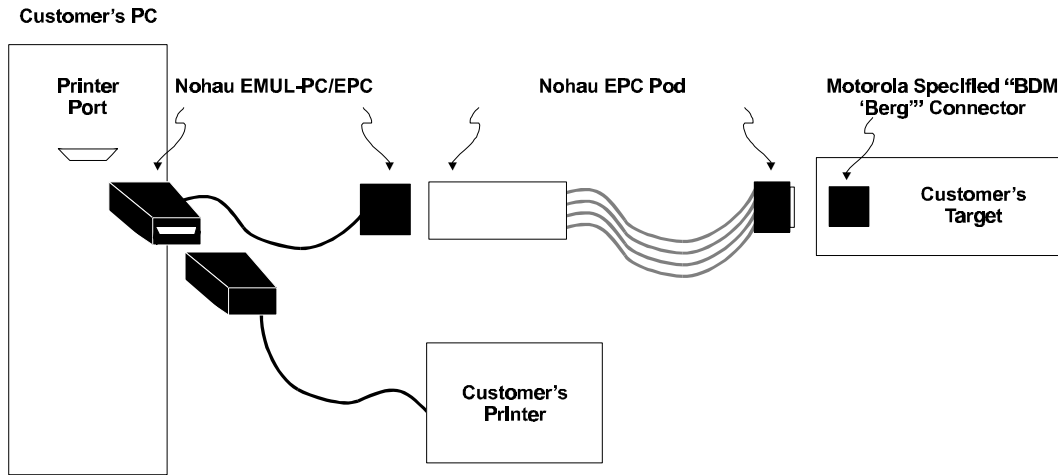


Figure 1. Connection Diagram

The EPC system consists of an Emulator Parallel Cable (EPC), an EPC pod, a 5 V power supply (optional), software, and the *EMUL16/300-PC/BDM User Guide*.

The EPC is connected to the PC parallel (Centronix) port. The other end of the cable with the female DB25 plug is connected to the EPC pod. The other end of the pod is connected to the BDM connector on the target.

It is important to set the printer port address (for example, 378) in the Config/Emulator Hardware screen. Other settings are the same as in the *EMUL16/300-PC/BDM User Guide*.

When installing under Windows NT you need to change the registry and install our kernel mode driver. You must do this from an account with *administrator* privileges.

Under Windows NT, if you plan to use a parallel port connected device (such as an EPC), you must give the EMUL300 Registry Setup dialog a dummy device address that is not used by Windows NT, not the parallel port address that you intend to use. Later, when you run EMUL300 and use the Config/Emulator Hardware dialog to set the parallel port address you intend to use, EMUL300 negotiates with Windows NT to secure the parallel port.

One of the causes of the message “...Incorrect Parameter” either in the system log or from the *Devices* application is that there seems to be a device already installed with the address given for the emulator.

There are several possibilities of supplying power to the system, which are described in the following table:

	J Position	5 V External Power Supply Connected to the EPC Pod
Target (5 V) powered through BDM cable.	$\overline{23}$	Yes
Target (5 V) supplies voltage for EPC.	$\overline{23}$	No
Low voltage target.	$\overline{12}$	Yes

If low voltage target is used, it must have its own power supply.

It is possible to use the EPC for low voltage battery powered targets, with extremely low power consumption without consuming any power from the battery. In that case, a special version of the EPC pod is required. For details, call your local rep or contact Nohau Customer Support at support@nohau.com.

External power supply, if used, must provide 5 V +/- 5%/(200 mA + current required by the target). The center of the optional power supply jack is the *positive pole* and the outer part is the *negative pole*.

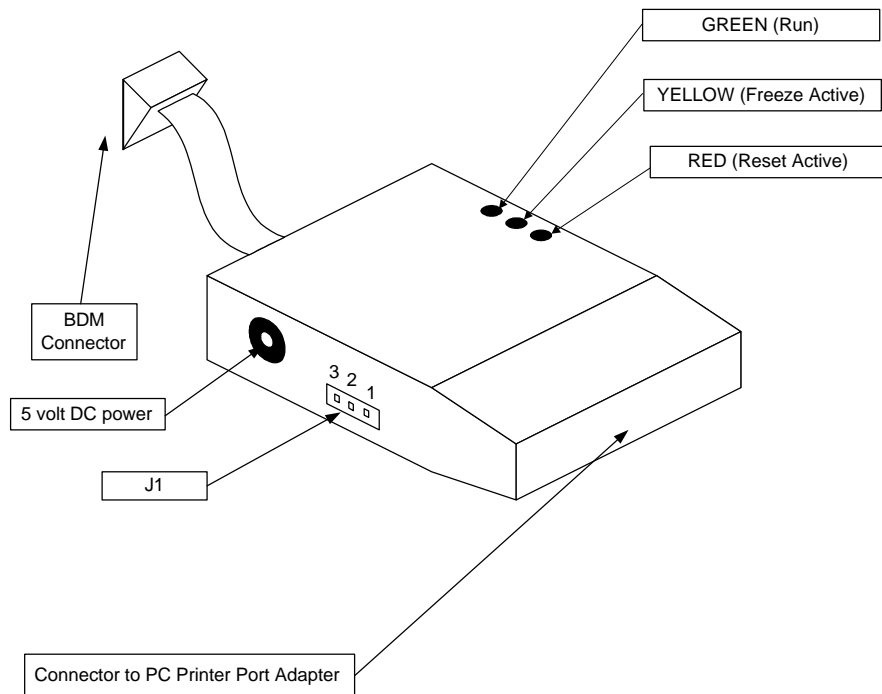


Figure 2. The EPC Pod